



# 7218 BECBM Angular contact ball bearings, single row

- Popular item

- SKF Explorer

## Angular contact ball bearings, single row

### Bearing data

[Tolerances](#),

Normal (metric), P6, P5, Normal (inch),

[Internal clearance](#),

CA+CB+CC, G,

[Preload](#),

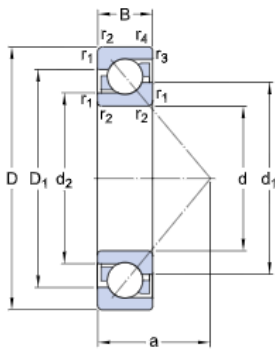
GA+GB+GC

### Bearing interfaces

[Seat tolerances for standard conditions](#),

[Tolerances and resultant fit](#)

## Technical specification

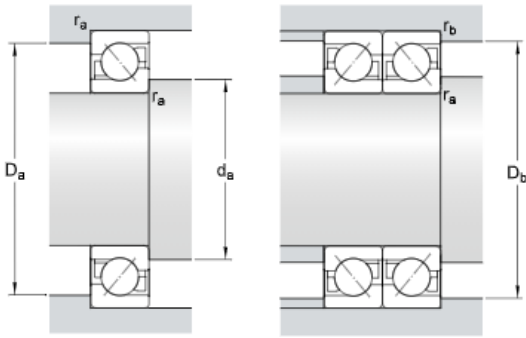


### DIMENSIONS

d	90 mm	Bore diameter
D	160 mm	Outside diameter
B	30 mm	Width
d1	≈ 117.1 mm	Shoulder diameter inner ring (large side face)
d2	≈ 103.06 mm	Shoulder diameter inner ring (small side face)
D1	≈ 134.8 mm	Shoulder diameter outer ring (large side face)
a	67 mm	Distance pressure point
r <sub>1,2</sub>	min. 2 mm	Chamfer dimension
r <sub>3,4</sub>	min. 1 mm	Chamfer dimension outer ring small side face

### ABUTMENT DIMENSIONS

d <sub>a</sub>	min. 101 mm	Abutment diameter shaft
D <sub>c</sub>	max. 149 mm	Abutment diameter housing
D <sub>i</sub>	max. 154 mm	Abutment diameter housing
r <sub>a</sub>	max. 2 mm	Fillet radius
r <sub>b</sub>	max. 1 mm	Fillet radius



CALCULATION DATA

C	116 kN	Basic dynamic load rating
C <sub>0</sub>	104 kN	Basic static load rating
P <sub>u</sub>	4 kN	Fatigue load limit
	5 000 r/min	Reference speed
	6 300 r/min	Limiting speed
A	0.149	Calculation factor
k <sub>r</sub>	0.095	Calculation factor
e	1.14	Calculation factor

SINGLE BEARING OR BEARING PAIR ARRANGED IN TANDEM

X	0.35	Calculation factor
Y <sub>0</sub>	0.26	Calculation factor
Y <sub>2</sub>	0.57	Calculation factor

BEARING PAIR ARRANGED BACK-TO-BACK OR FACE-TO-FACE

X	0.57	Calculation factor
Y <sub>0</sub>	0.52	Calculation factor
Y <sub>1</sub>	0.55	Calculation factor
Y <sub>2</sub>	0.93	Calculation factor